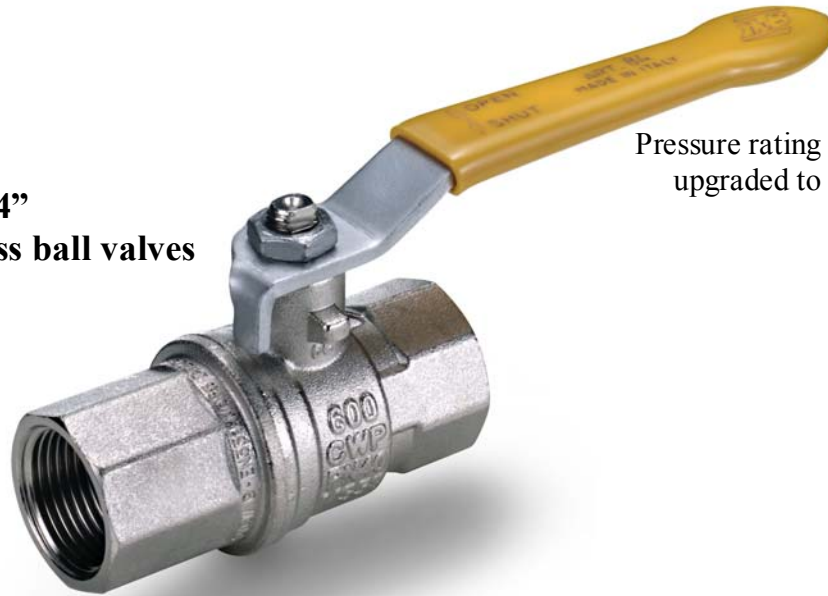


k.84

full port 1/4"÷4"
hot forged brass ball valves



Pressure rating is now upgraded to 40 bar

Features and Specifications:

- * **Hot forged** sand blasted, nickel plated brass body and cap sealed with Loctite,
- * **Approved in sizes up to 2"** by DVGW (D), SVGW (CH), Danmarks Gasmateriel Provning (DK), tested and EC certified by British Gas (UK),
- * Assessment according to **Pressure Equipment Directive 97/23 CE** module B+D by Pascal (1115),
- * Finest brass according to **EN 12165** and **EN 12164** (formerly DIN 17660 and UNI 5705-65) specifications,
- * Valve length according to **DIN 3202 M3** specification (up to 2" only),
- * **Full port** to DIN 3357 for maximum flow,
- * 24h 100% seal test **guaranteed**,
- * Pure **Teflon®** (Dupont registered trademark) self-lubricating seats with flexible-lip design,
- * Dual sealing system allows valve to be operated in either directions making **installation easier**,
- * Chrome plated brass ball for **longer life**,
- * **No metal-to-metal** moving parts,
- * **Blowout-proof** nickel plated brass stem,
- * Two Viton O-rings at the stem for **maximum safety**,
- * **No maintenance** ever required,
- * Handle stops on body to **avoid stresses** at stem,

- * **Dacrotized** carbon steel handle with thick PVC dip coating,
- * Handle clearly shows **ball position**,
- * **DIN 2999, ISO 228** parallel Female by Female threads,
- * **Silicone-free** lubricant on all seals,
- * 40 bar (Kg/cm²) up to 2", 30 bar over 2", non-shock cold working **pressure**,
- * **-20°C +170°C temperature**,
- * For use with **dangerous fluids** temperature rating is -20°C +60°C and pressure rating is 5 bar.

Options up to 2" size:

- * **Male by Female** threads,
- * **Stem extension**,
- * **T-handle**,
- * **Oval lockable handle**,
- * **AISI 430 stainless steel handle**,
- * **Patented locking device** for valves up to 4".

Upon request:

- * **AISI 316 stainless steel ball and/or stem**,
- * **Glass filled PTFE** seals,
- * **Custom design**.

NOTE: Approvals apply to specific configurations only.



ASSESSMENT
ACCORDING TO
97/23 CE
module B+D
by Pascal

CE 1115

APPROVED BY



British Gas

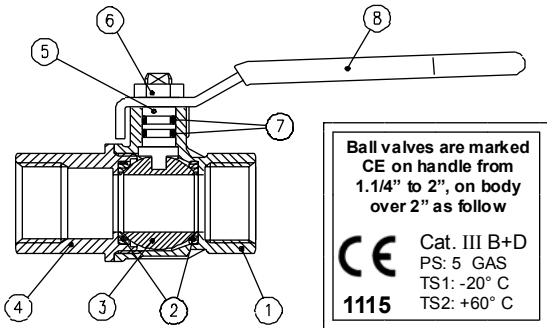


RUBINETTERIE UTENSILIERIE BONOMI SRL

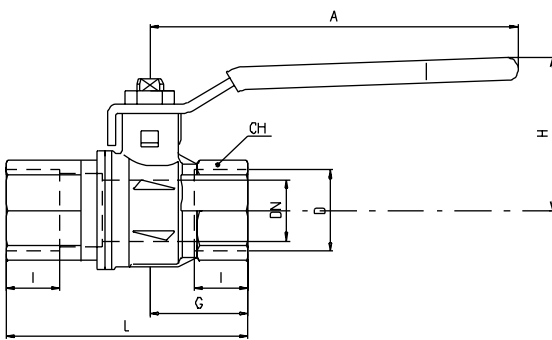
VIA PADANA SUPERIORE, 27/29 - FRAZ. CILIVERGHE, 25080 MAZZANO (BS) - ITALY

Fax+39 030 2629498
 Phone+39 030 212441
<http://www.rubvalves.com>
 email: sales.director@rubvalves.com

1.1/4"±2" hollow ball



PART DESCRIPTION	Material	Q.ty
1 Nickel plated body	CW617N RUB001	1
2 Ball seat	Ptfe RUB008	2
3 Chrome plated ball	CW617N RUB001	1
4 Nickel plated end cap	CW617N RUB001	1
5 Nickel plated stem O-Ring design	CW614N RUB001	1
6 Dacrotized nut	C10 RUB003	1
7 Green O-Ring	Viton RUB009	2
8 Yellow dacrotized steel handle	Fe50 RUB003	1

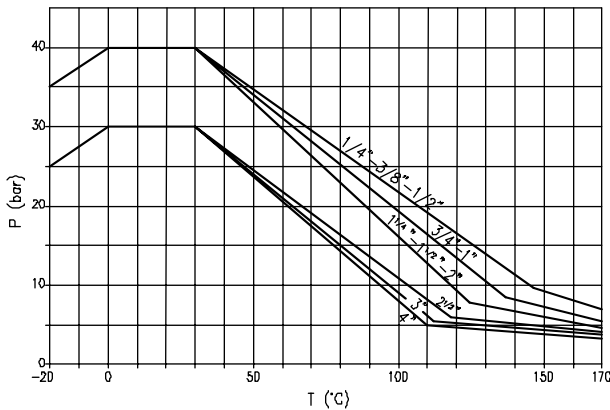


Code	S84005	S84C05	S84D05	S84E05	S84F05	S84G05	S84H05	S84I05	S84L00	S84M00	S84N00
D (inch)	1/4	3/8	1/2	3/4	1	1 1/4	1 1/2	2	2 1/2	3	4
DN (mm)	8	10	15	20	25	32	40	50	65	80	100
I (mm)	12	12	15.5	17	21	23	23	26.5	32	35	41.5
L (mm)	50	60	75	80	90	110	120	140	156	177	216
G (mm)	22.5	22.5	29.5	32	40.5	46.5	51	60.5	78	88.5	108
A (mm)	82	82	100	120	120	158	158	158	255	255	255
H (mm)	38	38	43	50	54	73	79	86	132	140	154
CH (mm)	20	20	25	32	41	50	55	70	85	99	125

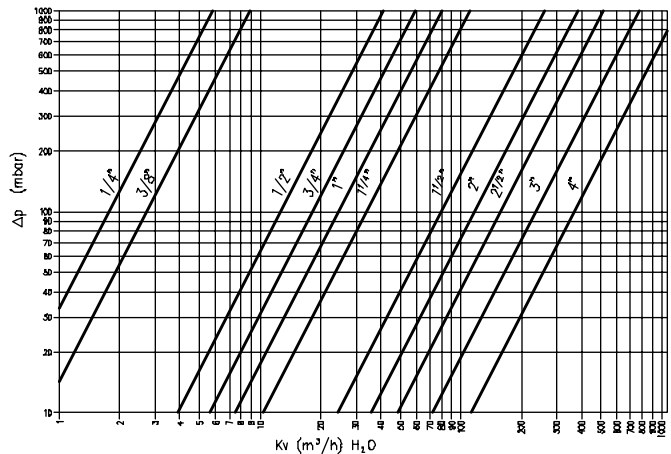
DN shows the nominal flow diameter. Actual flow diameter complies with full port DIN 3357 part 4.

Stem configuration of valves over 2" is slightly different. Ask for details at our Service Center.

Pressure - Temperature chart



Pressure drop chart



Ask for additional information on the whole range of RuB valves and consult with your supplier for special applications.

