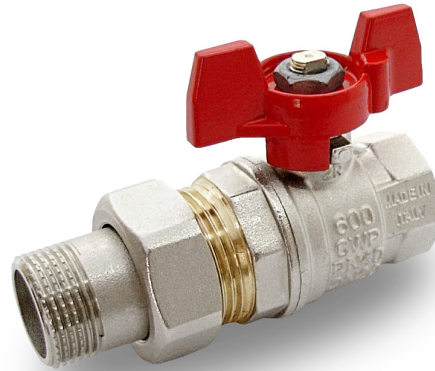


s.90 union connection

full port 1/2"-1.1/4"

hot forged brass ball valves



Quality:

- 24h 100% seal test guaranteed
- Dual sealing system allows valve to be operated in either direction making installation easier
- No metal-to-metal moving parts
- No maintenance ever required
- T-handle clearly shows ball position
- Silicone-free lubricant on all seals
- Chrome plated brass ball for longer life
- Handle stops on body to avoid stresses at stem

Body:

- Hot forged sand blasted, external nickel plated brass body and cap sealed with Loctite® or equivalent thread sealant
- Finest brass according to EN 12165 and EN 12164 specifications

Stem:

- Blowout-proof nickel plated brass stem
- Two FPM O-rings at the stem for maximum safety

Seals:

- Pure PTFE self-lubricating seats with flexible-lip design

PED Directives:

- According to 97/23 CE module A: it cannot be used with dangerous gases in sizes larger than 25mm



Threads:

- ISO 228 female by union male threads

Flow:

- Full port to DIN 3357 for maximum flow

Handle:

- Aluminum T-handle up to 1", Geomet® carbon steel T-handle with thick PVC dip coating over 1"

Working Pressure:

- 40 Bar (600 PSI)
- non-shock cold working pressure

Working Temperature:

- -40°C (-40°F) / +150°C (+302°F)
- Warning: freezing of the fluid in the installation may severely damage the valve

Options:

- Stem extension
- Oval lockable handle
- AISI 430 stainless steel handle
- Patented locking device
- Geomet® carbon steel handle with thick PVC dip coating. Handle coating offers both thermal and electrical protection.

Upon Request:

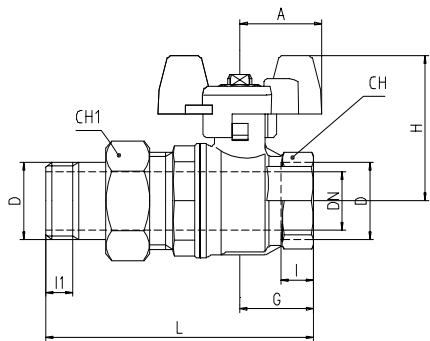
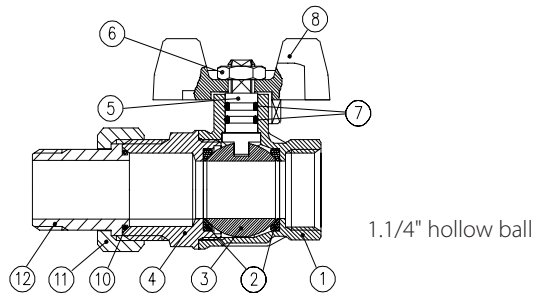
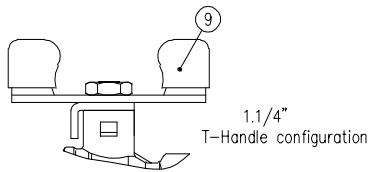
- AISI 316 stainless steel ball
- Glass filled PTFE seals
- Custom Design

Approved by or in compliance with:

- GOST-R (Russia)
- Hygiene and epidemic center in Moscow city (Russia)
- UkrSepro (Ukraine)

- RoHS Compliant
- EAC - Declaration of conformity (Russia-Kazakhstan-Belarus)

NOTE: Approvals apply to specific configurations/sizes only.



PART DESCRIPTION	Q.TY	MATERIAL
1 Nickel plated body (external treatment)	1	CW617N
2 Seat	2	PTFE
3 Chrome plated ball	1	CW617N
4 Nickel plated end cap (external treatment)	1	CW617N
5 Nickel plated stem O-ring design	1	CW617N
6 Geomet® nut	1	CB4FF
7 O-Ring	2	FPM
8 Red T-handle	1	Aluminum
9 Red PVC coated Geomet® steel T-handle	1	DD11
10 O-Ring	1	EPDM
11 Nickel plated nut	1	CW617N
12 Nickel plated hose	1	CW617N

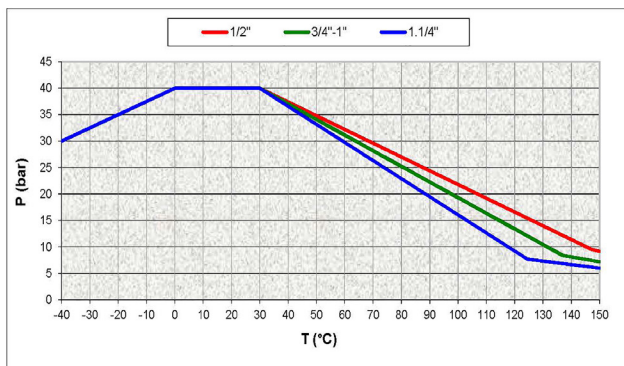
Code	S90D36	S90E36	S90F36	S90G36
D (inch)	1/2	3/4	1	1 1/4
DN (mm)	15	20	25	32
l1 (mm)	10	12	14	15
l (mm)	11	12	14	15
L (mm)	85	98	113	126.5
G (mm)	25	27	33.5	38.5
A (mm)	25	30	30	57
H (mm)	43	49	53	84.5
CH (mm)	25	31	38	48
CH1 (mm)	30	37	46	52

DN shows the nominal flow diameter. Actual flow diameter complies with full port DIN 3357 part 4.

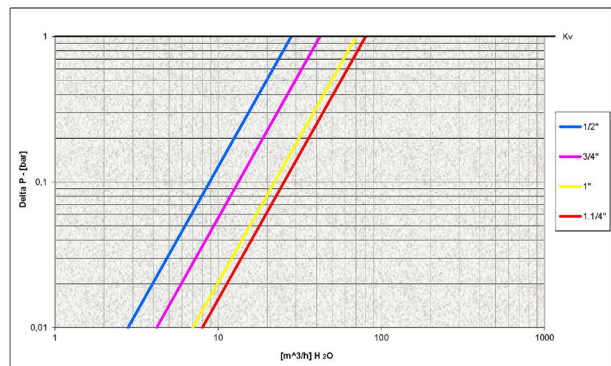
Ball valves are marked CE on body 1.1/4" size as follow:
CE XXCODEXX Cat. I-A

Ask for additional information on the whole range of **RuB** valves and consult with your supplier for special applications.

Pressure-Temperature Chart



Pressure Drop Chart



The company reserves all rights for the information contained herein. Products may be changed at any time without notice. Any undated reference to a code or standard shall be interpreted as referring to the latest edition. **RuB** and logo are registered trademarks of **RuB**-Rubinetteria utensilerie Bonomi. Other logos and registered trademarks are property of respective owners.

XCES9036 - Rev: 3703