

Calculator for heat meters multidata WR3

Heat calculator for heat- und cooling meter

The calculator multidata WR3 is used to measure heating and cooling energy in closed circulation systems. This is a so-called split heat meter, for which a calculator, flow sensor and temperature sensor pair are required.

High level of compatibility

The multidata WR3 is a real all-rounder that can be combined with nearly all standard temperature sensors and flow sensors. A special version is available for flow sensors with a high frequency pulse output. All appliances allow the connection of both the flow sensor and two additional appliances via the pulse generator as standard, e.g. a cold and hot water meter. The meter readings can be called up via the menu on the appliance or via reading systems.

Suitable for heating and cooling

The multidata WR3 is optimally suited for the measurement of heating and cooling energy. The measured consumption values for cold and heat are saved in separated registers. Areas of application are air-conditioning systems in which both heating and cooling energy is emitted through the same pipeline network.



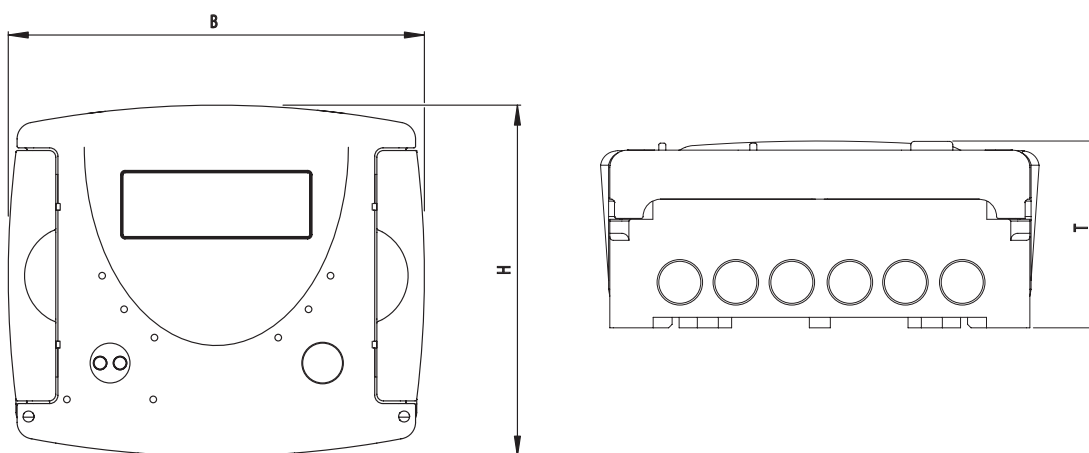
Performance characteristics in overview

- As a heating, cooling or combined heating / cooling energy calculator
- Temperature sensor connection optional in 4-wire technology
- Two additional inputs/outputs as standard
- Housing can be opened without tools
- Optional with M-Bus, RS 232 and RS 485 interface and programmable data logger
- Mounting on supplied wall adaptor or a standardised top hat rail
- M-Bus interface can be used instead of remote reading also for external power supply with 24 V DC

Technical data sheet Calculator for heat meters multidata WR3

Technical data multidata WR3		
Temperature range	°C	0 - 150
Temperature difference range	K	3 - 120
Display	LCD multifunctional display, 8-digit plus special characters	
Display unit	Standard: MWh Optional: kWh, MJ, GJ	
Volume pulse generator can be connected	Reed switch, open collector or active Input frequency: max. 1 Hz for passive transmitters, max. 100 Hz for active transmitters	
Temperature sensor connection	PT500	
Max. sensor cable length 2-wire	m	12,5
Max. sensor cable length 4-wire	m	20
Data interfaces	As standard: Optical data interface, 2 programmable pulse outputs/inputs optional: M-Bus, RS 485, RS 232	
Ambient temperature	°C	5 - 55
Power supply ¹	Lithium battery 3.6 V Optional: Via M-bus level converter or plug-in power supply (output: 24 V DC)	
Battery lifespan	At least 5 years + 1 year reserve, optionally 10 years + 1 year reserve	
Protection class	IP 54 / IP 65	
Mechanical/electromagnetic class	M1 / E1	
Measuring cycle time	In accordance with DIN EN 1434-1	
Measuring cycle time	Standard: 30 seconds (10 seconds when operating button is pressed) For versions with M-Bus interface: 10 seconds	
Dimensions		
Depth	T	54 mm
Height	H	106 mm
Width	B	120 mm

¹ The validity period for the calibration depends on the country, please observe the relevant national regulations.



Dimensions

ZENNER International GmbH & Co. KG

Römerstadt 6 | 66121 Saarbrücken | Germany

Phone +49 681 99 676-30
Fax +49 681 99 676-3100

E-Mail info@zenner.com
Internet www.zenner.com